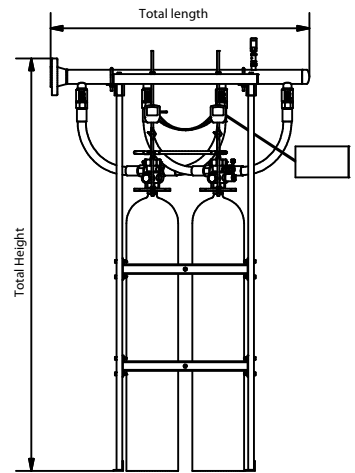
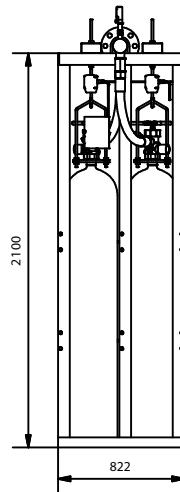
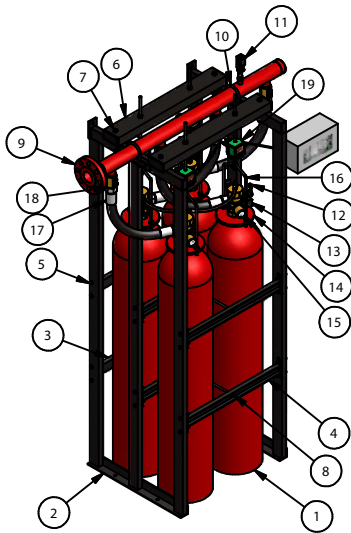


# BATTERIES OF CYLINDERS OF 120 L WITH CONTINUOUS WEIGHING (DOUBLE ROW)

## AEX/SBPX120FMD

Specifications						
Reference	Nº of cylinders	Max. load	Total length (mm)	Total Height (mm)	Manifold outlet*	Manifold reference
AEX/SBP3120FMD	3	414 Kg	1662	2296	Flange 4"	CF4D31120
AEX/SBP4120FMD	4	552 Kg	1662	2296	Flange 4"	CF4D41120
AEX/SBP5120FMD	5	690 Kg	2123	2341	Flange 5"	CF5D51120
AEX/SBP6120FMD	6	828 Kg	2123	2341	Flange 5"	CF5D61120
AEX/SBP7120FMD	7	966 Kg	2564	2370	Flange 6"	CF6D71120
AEX/SBP8120FMD	8	1104 Kg	2564	2370	Flange 6"	CF6D81120
AEX/SBP9120FMD	9	1242 Kg	2999	2370	Flange 6"	CF6D91120
AEX/SBP10120FMD	10	1380 Kg	2999	2370	Flange 6"	CF6D101120
AEX/SBP11120FMD	11	1518 Kg	3473	2341	2 Flanges 5"	CF5D11B120
AEX/SBP12120FMD	12	1656 Kg	3473	2341	2 Flanges 5"	CF5D12B120
AEX/SBP13120FMD	13	1794 Kg	3908	2341	2 Flanges 5"	CF5D13B120
AEX/SBP14120FMD	14	1932 Kg	3914	2370	2 Flanges 6"	CF6D14B120
AEX/SBP15120FMD	15	2070 Kg	4349	2370	2 Flanges 6"	CF6D15B120
AEX/SBP16120FMD	16	2208 Kg	4349	2370	2 Flanges 6"	CF6D16B120
AEX/SBP17120FMD	17	2346 kg	4784	2370	2 Flanges 6"	CF6D17B120
AEX/SBP18120FMD	18	2484 Kg	4784	2370	2 Flanges 6"	CF6D18B120
AEX/SBP19120FMD	19	2622 Kg	5219	2370	2 Flanges 6"	CF6D19B120
AEX/SBP20120FMD	20	2760 Kg	5219	2370	2 Flanges 6"	CF6D20B120

\* The manifold diameter may vary depending on hydraulic calculations of each installation.



Parts list		Parts list	
Part Number	Reference and Description	Part Number	Reference and Description
1	BFE120 - Cilindre 120 L	11	AEX/CP1 - Pass contactor (optional)
2	HP-2100DP120 - Support feet double row with cont. weighing	12	AEX/PM160A - Hand lever
3	HTPP(x)120 - Preceding crossbar for(x) cilindres	13	AEX/VS24 - Solenoid
4	HTPA(x)120 - Rear crossbar for (x) cilindres	14	BRR212 - Flange 2 1/2" for cylindre
5	TO8M55 - Screws, nuts and washers M8	15	AEX/M80 - Manometer
6	HS(x)120 - Battery suspension support (x) cilindres	16	BPAS1 - Suspension arc
7	TO10M125 - Screws, nuts and washers M10	17	L112N - Discharge hose 1 1/2"
8	HVSD120 - Rod for batterie double row with cont. weighing	18	AEX/VAR112 - Check valve 1 1/2"
9	SEE TABLE - Manifold	19	AEX/CPC3 - Continuous weighing control
10	HA(x) - U-bolt (x) inches		



Av. Alfonso Peña Boeuf, 6 y 9  
 28022 MADRID - ESPAÑA  
 TEL: +34 913121656  
 FAX: +34 913295820

**DATA SHEET**  
 BATTERIES OF CYLINDERS OF 120 L WITH  
 CONTINUOUS WEIGHING (DOUBLE ROW)

Description: Complete Cylinder Battery, including manual & electric actuator, pressure gauge, hoses and manifold.

Code sheet:	Group sheet:	Reference:	Drawn:	Date:	Revised:	Date:	Review:	Format:
AEX-FTC-04-020	HFC 227 ea	VER TABLA	DCM	12/12/2018	ENC	2/12/2018	1	A4

Note: Aguilera Extinción S.L. Reserves the right to modify any of the characteristics stated in this document without notice.